

PRODUCT INFORMATION PACKET

Model No: 056B17D15545

Catalog No: C175A

0.75 HP General Purpose Motor, 1 phase, 1800 RPM, 115/230 V, 56 Frame, ODP
Single Phase ODP Motors





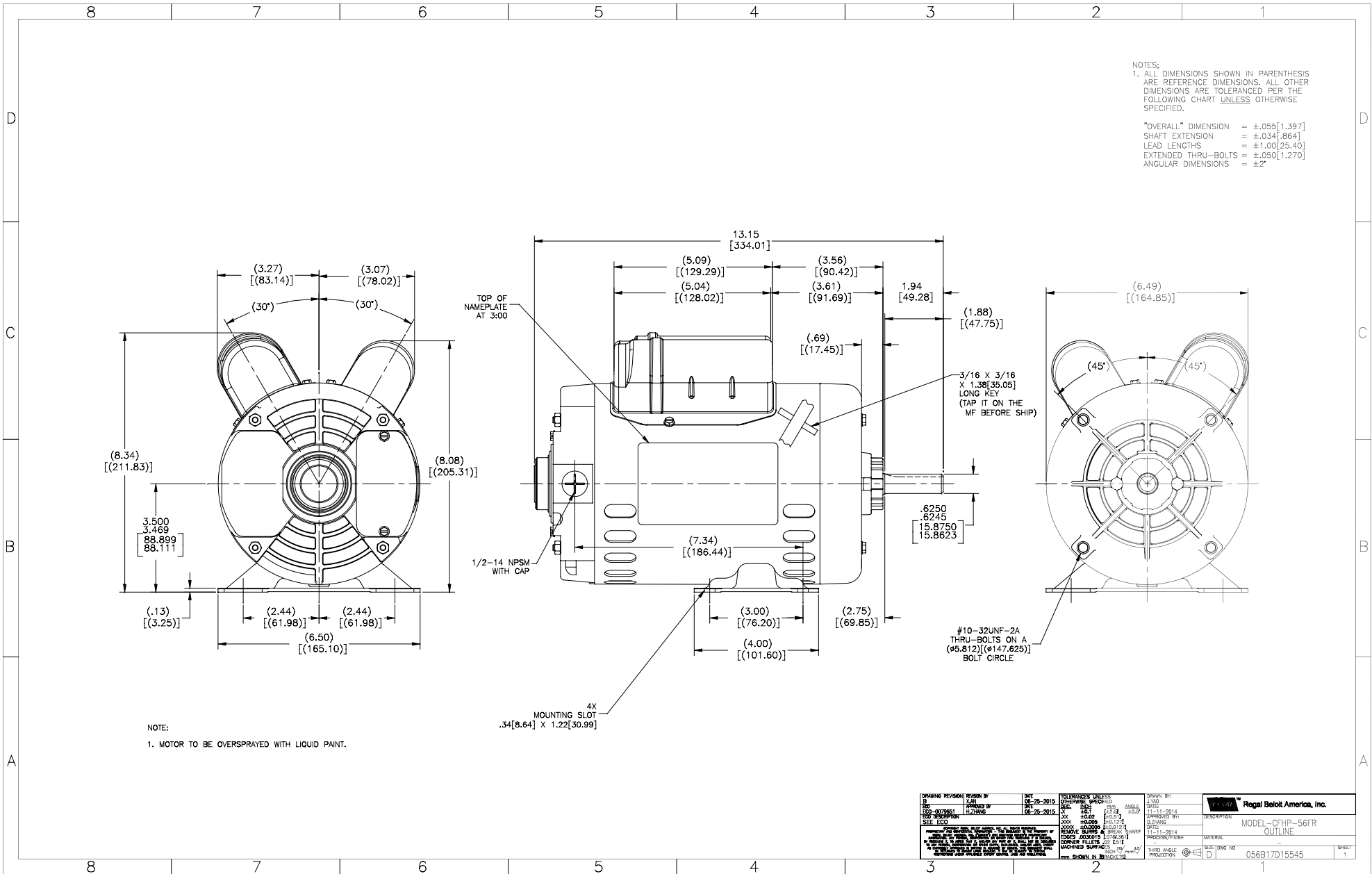
Nameplate Specifications

Output HP	0.75 Hp	Output KW	0.56 kW
Frequency	60 Hz	Voltage	115/230 V
Current	6.6/3.3 A	Speed	1725 rpm
Service Factor	1.25	Phase	1
Efficiency	81.8 %	Power Factor	97.2
Duty	Continuous	Insulation Class	B
Design Code	NO DESIGN CODE	KVA Code	L
Frame	56	Enclosure	Drip Proof
Thermal Protection	No	Ambient Temperature	40 °C
Drive End Bearing Size	6203	Opp Drive End Bearing Size	6203
UL	Recognized	CSA	Y
CE	Y	IP Code	22

Technical Specifications

Electrical Type	Capacitor Start Capacitor Run	Starting Method	Across The Line
Poles	4	Rotation	Selective Counterclockwise
Resistance Main	1.9 Ohms	Mounting	Rigid Base
Motor Orientation	Horizontal	Drive End Bearing	Ball
Opp Drive End Bearing	Ball	Frame Material	Rolled Steel
Shaft Type	NEMA 56	Overall Length	13.12 in
Frame Length	8.25 in	Shaft Diameter	0.625 in
Shaft Extension	1.88 in	Assembly/Box Mounting	F1 OUT ODE BRKT RADIAL
Connection Drawing	D0000435-001	Outline Drawing	056B17D15545-S01

This is an uncontrolled document once printed or downloaded and is subject to change without notice. Date Created:14/12/2020



NOTES:
1. ALL DIMENSIONS SHOWN IN PARENTHESIS ARE REFERENCE DIMENSIONS. ALL OTHER DIMENSIONS ARE TOLERANCED PER THE FOLLOWING CHART UNLESS OTHERWISE SPECIFIED.

"OVERALL" DIMENSION = ±.055[1.397]
SHAFT EXTENSION = ±.034[.864]
LEAD LENGTHS = ±1.00[25.40]
EXTENDED THRU-BOLTS = ±.050[1.270]
ANGULAR DIMENSIONS = ±2°

DRAWING REVISION		REVISION BY	DATE	TOLERANCES UNLESS OTHERWISE SPECIFIED		DRAWN BY			
REV	BY	DATE	DATE	ANGLES	UNLESS OTHERWISE SPECIFIED	DATE	DESCRIPTION	MODEL-CFHP-56FR OUTLINE	
1	XXX	06-25-2015	06-25-2015	30°	AS SHOWN	11-11-2014		MATERIAL PROCESS/FINISH THIRD ANGLE PRODUCTION	
2	XXX	06-25-2015	06-25-2015	30°	AS SHOWN	11-11-2014		SHEET NO. 056917D15545 SHEET 1	

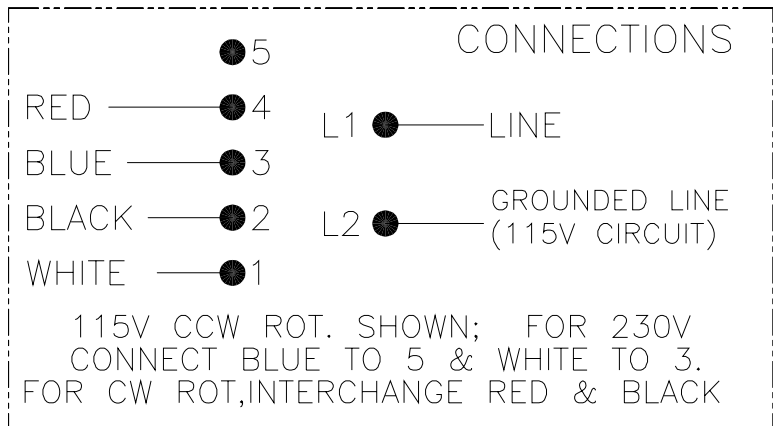
4

3

2

1

REV	ECO	REV BY	DATE	APPD	DATE
A	ECO-0028953	A.BAUGHMAN	11-09-2012	A.BAUGHMAN	11-09-2012



GEOMETRIC CHARACTERISTICS & SYMBOLS
□ FLATNESS
— STRAIGHTNESS
∠ ANGULARITY
⊥ PERPENDICULARITY (SQUARENESS)
// PARALLELISM
○ ROUNDNESS (CIRCULARITY)
⌀ CYLINDRICITY
⌒ PROFILE OF ANY SURFACE
⌒ PROFILE OF ANY LINE
♣ RUNOUT
⊕ TRUE POSITION
⊙ CONCENTRICITY
⊖ SYMMETRY

UNLESS OTHERWISE SPECIFIED DIM. TOLERANCES ARE AS FOLLOWS:
INCH X XX XXX XXXX
±.1 ±.02 ±.005 ±.0005
mm ±0.5 ±0.13 ±0.013
ANG. ±.50 DEG
REMOVE BURRS & BREAK SHARP EDGES:
INCH .003-.015 mm 0.1-.04
CORNER FILLETS TO:
INCH .020 mm 0.5
MACHINE SURFACES:
INCH 125 mm 3.2
METRIC DIMS. SHOWN IN [BRACKETS]

DR BY:	A.BAUGHMAN	11-09-2012
APPD:	A.BAUGHMAN	11-09-2012
THIRD ANGLE PROJECTION		EDS DATE 11-11-2011 FORMAT REV H
CONFIDENTIAL: THIS DRAWING AND ITS INFORMATION ARE THE EXCLUSIVE AND CONFIDENTIAL PROPERTY OF REGAL-BELOIT CORPORATION AND ARE NOT TO BE DISCLOSED, DUPLICATED, DISTRIBUTED OR OTHERWISE USED WITHOUT THE WRITTEN CONSENT OF REGAL-BELOIT CORPORATION. -ALL RIGHTS RESERVED.		

REGAL-BELOIT CORPORATION	
DESCRIPTION CONN DIAGRAM-NAMEPLATE	
SIZE C	DWG NO D0000435-001
SCALE NONE	SHEET 1

4

3

2

1

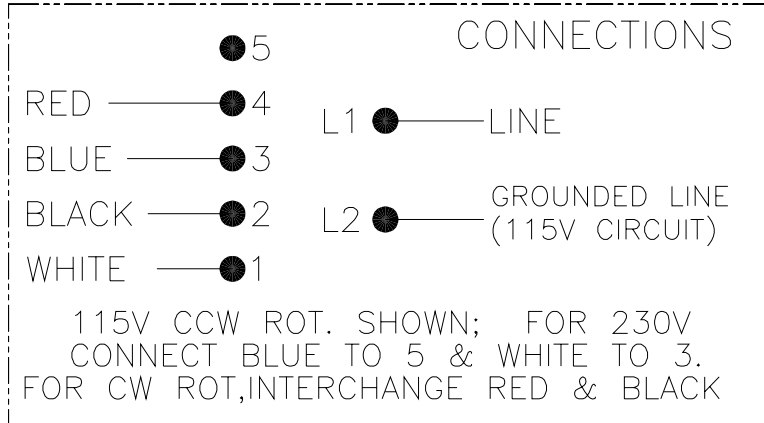
4

3

2

1

REVISION:	ECO	REVISADO POR:	FECHA:	APROBADO POR:	FECHA:
A	ECO-0028953	A.BAUGHMAN	11-09-2012	A.BAUGHMAN	11-09-2012



CARACTERISTICAS DE GEOMETRIA Y SIMBOLOS ▽ PLANICIDAD — RECTITUD ∠ ANGULARIDAD ⊥ PERPENDICULARIDAD (A ESQUADRA) // PARALELISMO ○ REDONDEZ (CIRCULARIDAD) Ⓞ CILINDRICIDAD Ⓢ PERFIL DE CUALQUIER SUPERFICIE ⌒ PERFIL DE CUALQUIER LINEA ≠ VARIACION ⊕ POSICION REAL ⊙ CONCENTRICIDAD ⦶ SIMETRIA	A MENOS QUE SE ESPECIFIQUE DE OTRA MANERA, LAS TOLERANCIAS DE LAS DIMS. SON LAS SIGUIENTES: PULG $\pm .1$ $\pm .02$ $\pm .005$ $\pm .0005$ mm ± 0.5 ± 0.13 ± 0.013 ANG. ± 50 GRADOS ELIMINAR REBABAS Y ORILLAS FILOSAS DEL BORDE. PULG .003-.015 mm 0.1-0.4 FILETEAR ESQUINA: PULG .020 mm 0.5 MAQUINAR SUPERFICIES PULG $\frac{125}{32}$ mm 3.2 DIMS METRICAS MOSTRADAS [PARENTESIS]	DIBUJADO POR: A.BAUGHMAN	11-09-2012	REGAL-BELOIT CORPORATION	DESCRIPCION: CONN DIAGRAM-NAMEPLATE
		APROBADO POR: A.BAUGHMAN	11-09-2012		
CONFIDENCIAL: ESTE DIBUJO Y SU INFORMACION SON PROPIEDAD DE USO EXCLUSIVO Y CONFIDENCIAL DE REGAL-BELOIT CORPORATION. Y NO DEBERAN SER REVELADOS, DUPLICADOS, DISTRIBUIDOS O USARSE DE OTRA MANERA SIN EL CONSENTIMIENTO ESCRITO DE REGAL-BELOIT CORPORATION. -TODOS LOS DERECHOS RESERVADOS.				TAMAÑO: C	NUMERO DE DIBUJO: D0000435-001
				ESCALA: NONE	HOJA: 1

4

3

2

1

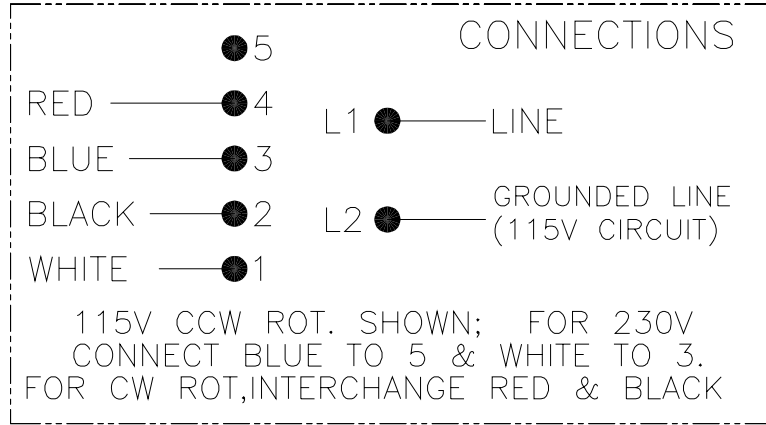
4

3

2

1

版本	ECO	编制	日期	批准	日期
A	ECO-0028953	A.BAUGHMAN	11-09-2012	A.BAUGHMAN	11-09-2012



形位公差	除另有注明
□ 平面度	尺寸公差如下:
— 直线度	英寸 X XX XXX XXXX
∠ 倾斜度	英寸 ±.1 ±.02 ±.005 ±.0005
⊥ 垂直度	毫米 ±0.5 ±0.13 ±0.013
// 平行度	角度 ±.50 度
○ 圆度	清理毛刺和尖棱
⊙ 圆柱度	英寸 .003-.015 毫米 0.1-0.4
⌒ 面轮廓度	内圆角
⌒ 线轮廓度	英寸 .020 毫米 0.5
⊕ 圆跳动	表面粗糙度
⊖ 位置度	英制 125 公制 3.2
⊗ 对称度	米制尺寸显示在L了

ASME Y14.5M 1994

绘图:	A.BAUGHMAN	11-09-2012
批准:	A.BAUGHMAN	11-09-2012
第三角投影		图版格式发布日期 11-11-2011 图版格式版本 H
机密: 本图纸及相关信息所有权归REGAL-BELOIT CORPORATION. 未经REGAL-BELOIT CORPORATION书面授权, 不得泄露、 复制、传播或作其他用途。--版权所有		

REGAL-BELOIT CORPORATION	
名称	CONN DIAGRAM-NAMEPLATE
图号	D0000435-001
比例	NONE
页号	1

4

3

2

1



MARATHON ELECTRIC CORPORATION
TYPICAL PERFORMANCE CURVE for AC MOTOR

Customer

Curve at

230 Volts
60 HZ
0.75 HP

HP 0.75

PHASE 1

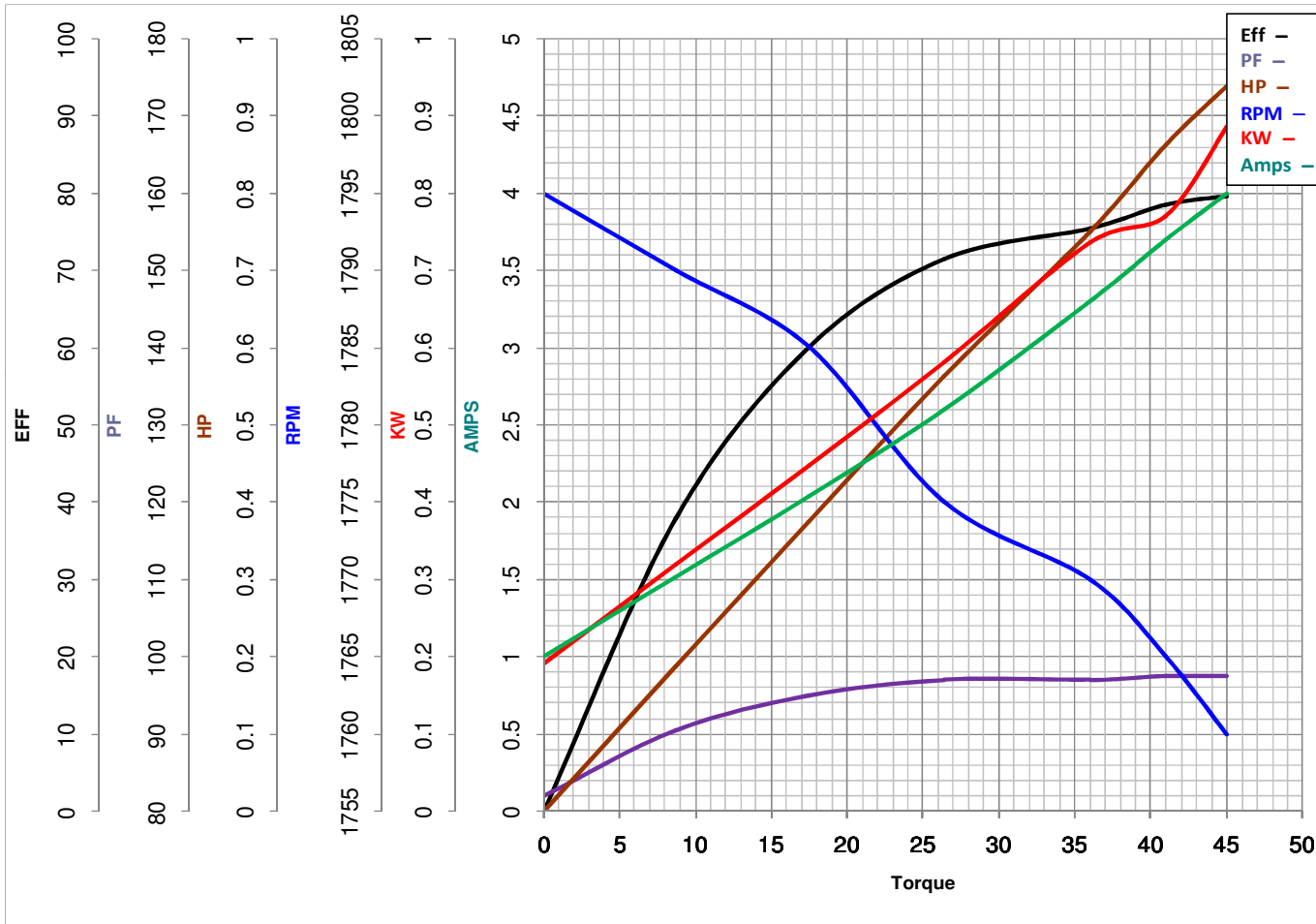
Model No 56B17D15545

VOLTS 115/230

Catalog No C175A

HZ 60

RPM 1725



Torque in Oz.Ft

FL TORQUE 36 Oz.Ft
BD TORQUE 132.3 Oz.Ft
LR TORQUE 152 Oz.Ft

FL AMPS 6.6/3.3
PU TORQUE 152.0 Oz.Ft
LR AMPS 30.6

WINDING SS0053728-3

Date 1/11/2019